

MDC-BL-5056

DC Brushless Motor for UAV main propeller

MDC-BL-5056 Brushless Motors are designed to provide high quality and performance, combining advanced drive technology and robustness features. The compact form of the motors and the two sided bearing of the rotor deliver a smooth run even in applications requiring large propellers. The outside rotation principle and the eight-magnet pole design contribute to the excellent torque at total low weight. The open-designed rotating case guarantees excellent air cooling.

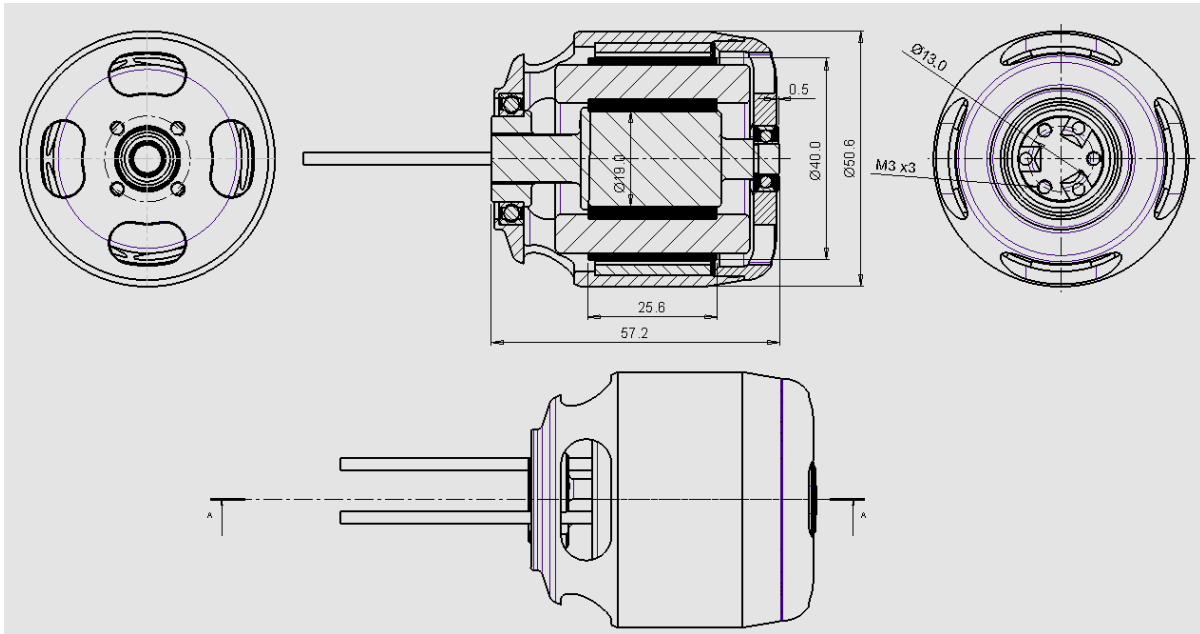
Key elements:

- Brushless, sensor-less commutated motor
- Outside rotation motor of high torque for direct drive applications



Specifications

Parameter	Unit	Value
Speed Constant	1/V	360
Terminal Resistance	Ohm	0.09
Terminal Inductance	mH	0.04
Max. Efficiency	%	92
Max Continuous Current	A	40
Max Continuous Power	Watt	1000
Motor Weight	g	~ 370

MDC-BL-5056 (Dimensions in mm)**For Additional Information**

To learn more about the MDC-BL-5056 or other MTC products, contact MTC on **+972 4 998 7772** or email **marketing@mtcind.com**