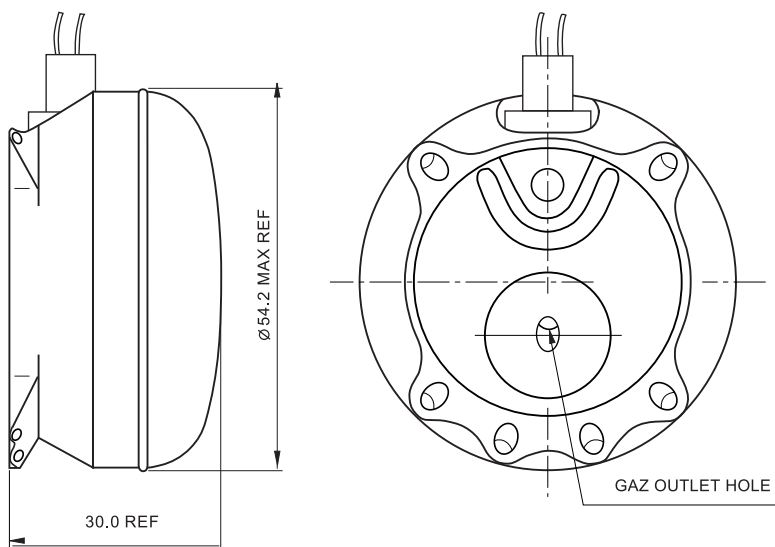


Pressure Vessel

The MGV pressure vessel is designed to actuate, provide motion and cool airborne/military products - gas type according to customer specification. The MGV conforms to strict safety standards and is resistant under the harsh environmental conditions to which this type of product may be exposed. Available with or without pyrotechnic actuator.



Specification

Parameter	Unit	Value
Working pressure at room temperature	psi	3530
Working temperature range	°C	-20 ÷ +85
Vessel's volume	litre	0.03
Empty vessel weight	kg	0.16
Vessel's actuator-electro-explosive:		
Bridge resistance	Ohm	3 ÷ 4
No fire current	A	1 for 5 minutes
All fire current	A	3.5