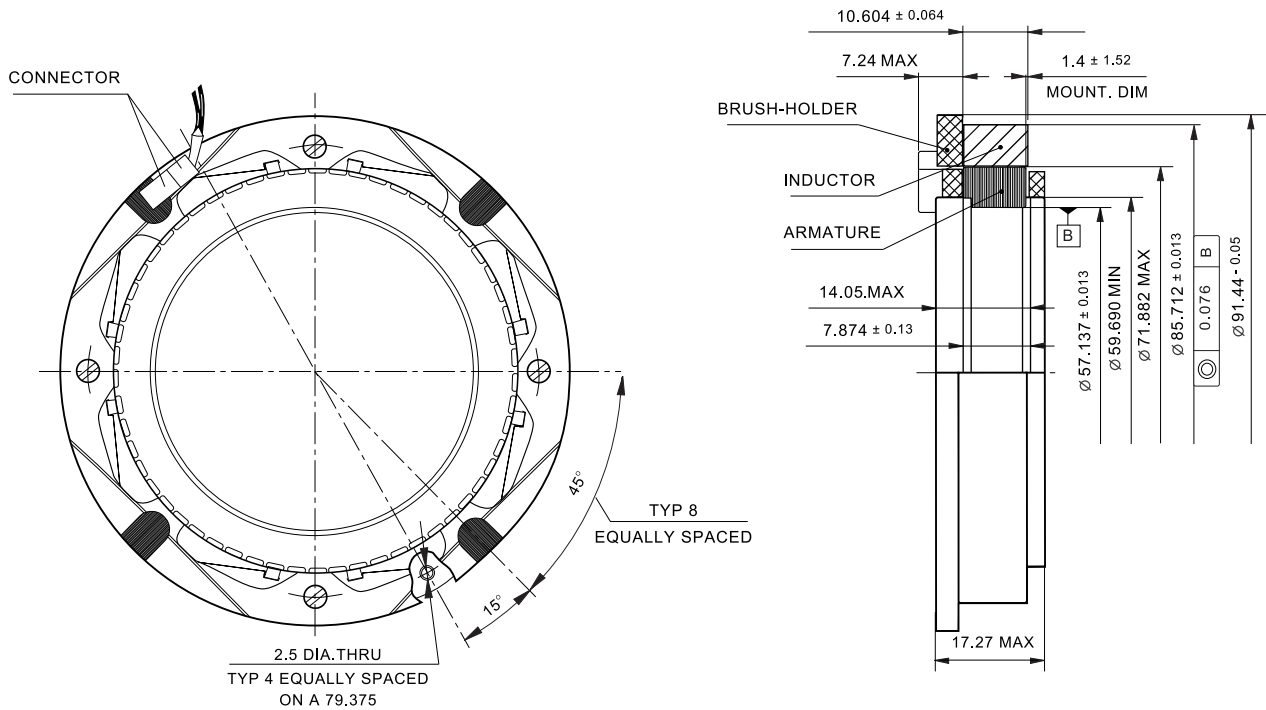
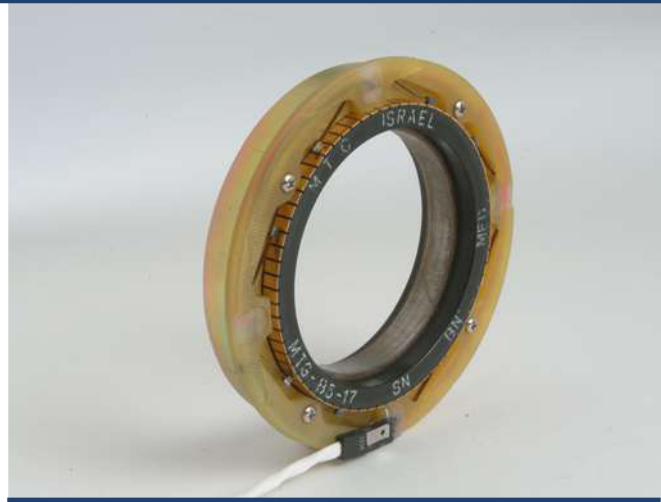


mtc MTG-85-17

DC Tachogenerator

The tachogenerator MTG-85-17 has been designed specifically for applications where extra precise performance is required. Low ripple voltage, low temperature coefficient, high voltage characteristic linearity and precise mechanical dimensions are reasons for which this special tachogenerator has been designed. Applications which need a wide dynamic range or very low speed operation with high sensitivity, or a wide temperature range, can be satisfied with the tachogenerator MTG-85-17 parameters.



Specification

Parameter	Unit	Value	Tolerance
Voltage sensitivity	Volt/rad/sec	0.8	± 5%
Max. operating speed	rad/sec	30	-
Max. output voltage	V DC	24	-
Max. winding temperature	°C	155	-
Ripple voltage	%	1.5	-
Ripple frequency	cycle/rev	71	-
Total breakaway torque	mN*m	18	max
DC resistance	Ohm	245	± 10%
Min. load resistance	Ohm	30,000	-
Inductance	mHy	60	max
Rotor inertia	oz.in.sec ²	0.020	-
Weight	gr	285	max