

## MTM-25-9BL

The **MTM-25-9BL** is a DC torque motor that provides smooth operation without slot effect. The MTM-25-9BL provides a high accuracy in positioning, actuating, tensioning, measuring and indicating applications for both military and industrial use. Brushless operation eliminates electrical and mechanical noise, and explosion hazard. The MTM-25-9BL is an alnico magnet motor.



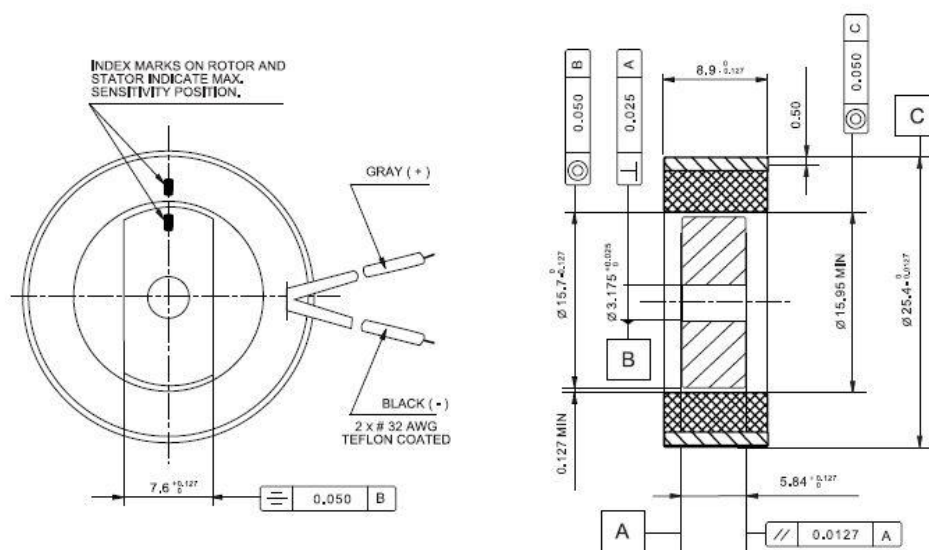
## Specifications

Parameters	Units	Values	
Peak Torque	mNm	9	-
Power at peak torque	Watts	16	-
Continuous torque	mNm	3.5	-
Power at continuous torque	Watts	2.4	-
Input voltage at continuous torque	V DC	12	-
Torque sensitivity	mNm/A	17.7	-
DC Resistance	Ohm	60	±10%
Angular excursion:			
90% of max. torque	deg	50	-
70% of max. torque	deg	70	-
Back EMF constant	Volt/rad/sec	0.018	-
Electrical time constant L/R	Sec	$0.3 \times 10^{-3}$	-
Weight	Gr	23	±5%

Note : The system does not include the electronic controller.

## MTM-25-9BL

### Drawing



*All dimensions are in mm*

### For Additional Information

To learn more about the **MTM-25-9BL** or other MTC products, contact MTC on **+972 4 998 7772** or email [marketing@mtcind.com](mailto:marketing@mtcind.com)