

GE-3646

Single-axis free gyroscope actuated and sustained by an electric motor. Operates for at least 10 minutes. This gyro is intended for use in the high accuracy medium and long range missile and torpedo applications range, where 30 second activation time along with long mission operation at constant RPM is required. The motor is of the DC Brushless type with a high resolution brushless pickoff to measure angular changes on its outer gimbal. A remote electrical pulse is used to actuate a pressure squib for uncaging the gimbals. It has the independent capability of providing a DC electric output proportional to angular position in one axis.

Suitable, in particular, for air-to-surface, surface-to-surface and naval to surface missiles, as well as air-to-surface armed UAV/Drones, air-launched glide decoys, and for many other applications.



Specifications

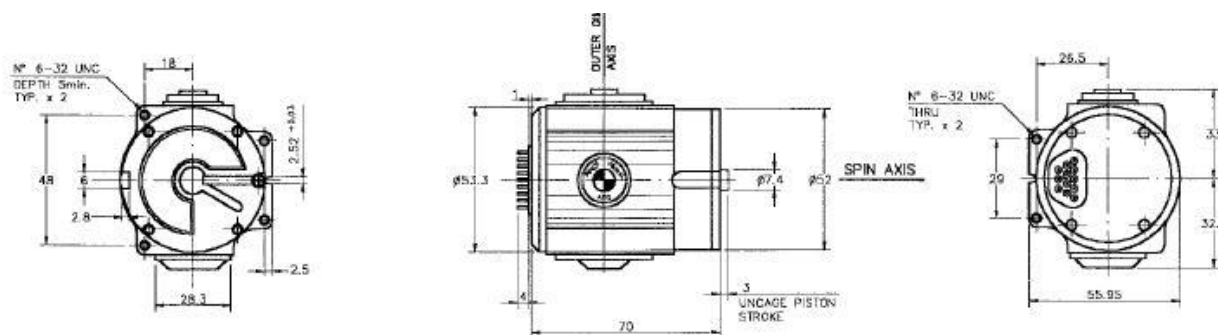
Brushless DC Motor	
Voltage	15 VDC
Continuous Current	400 mAmp. max.
Starting Current	1.6 Amp. max.
Max. Drift (Scorsby / Random Vibration)	
Outer	0.4° Per min
Pickoff	
Active Range	±40°
Linearity	<0.3%
Uncaging & Ready Time	
Uncage Current	2.5 Amp.min.
Ready Time	<30 sec

GE-3646

Specifications

Environmental	
Temperature	-40°C to +85°C
Shock	50 G, 11 msec / all axes
Random Vibration	
Non-Operation	9.0 GRMS
Operational	1.7 GRMS
Weight	
400 gm	

Drawing



All dimensions are in mm

For Additional Information

To learn more about the GE-3646 Free Gyroscope

Or other MTC products,

Contact MTC on **+972 4 998 7772** or email marketing@mtcind.com