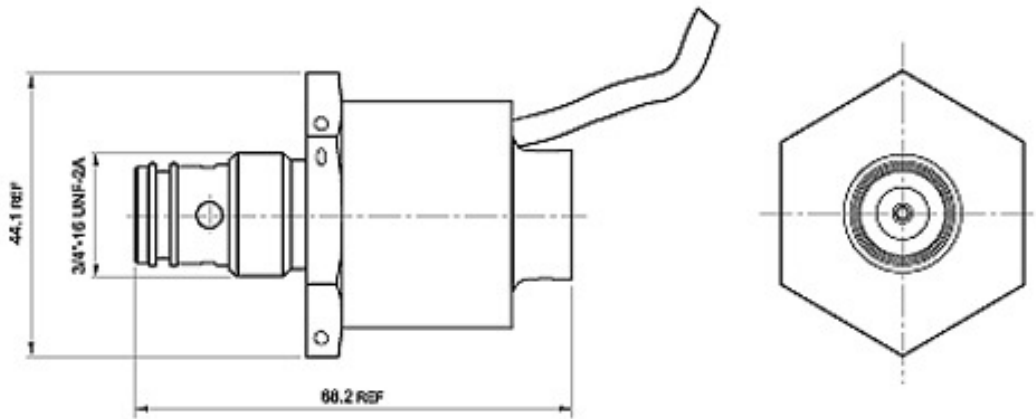
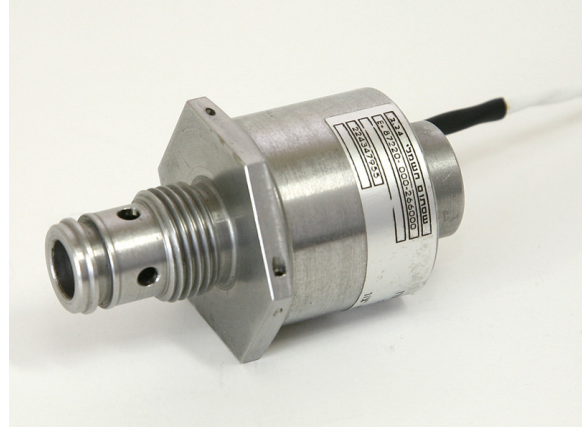


Solenoid Valve

The MSV-24-01 is a highly accurate normally closed Solenoid Valve for regulation and control of gas or liquids for Aerospace applications. The MSV-24-01 has long service life under the most challenging environmental conditions.



Specification

Parameter	Unit	Value	Tolerance
Operating temperature :	Ambient	°C	-15 – +50
	Fluid	°C	-30 – +50
	Storage	°C	-15 – +70
Working pressure	psi	1000	max.
Flow capacity @ 750 psi at inlet and 450 psi at outlet	gr/sec	35	min.
Response time (electrical)	msec	15	max.
Leakage @ pressure 100 – 1000 psi	Internal	scc/sec	1×10^{-3}
	External	scc/sec	1×10^{-3}
Electrical	Voltage range	VDC	24 – 32
	Power consumption @ 28 VDC, temp.20°C	Watt	40
Time in energized position	min.	2	max.
Duty cycle @ 1000 ON/OFF cycles	%	50	-
Weight	gr	300	max.